



YAMAHA

Wireless station INSTALLATION MANUAL

YAMAHA MOTOR CO., LTD.



6X9-28107-L1-E0

Preface

This manual has been prepared by Yamaha primarily for use by Yamaha dealers and their trained technicians to provide necessary information for setting up the Wireless Station system on the boat.

When connecting wiring etc., please follow the information provided by Yamaha for the arrangement. Any other connections may result in incorrect control and function.

Please check the software version before use. Depending on the version, some functions may be restricted. If you have any questions, please contact your Yamaha dealer.

Important Information

Particularly important information is distinguished in this manual by the following notations:

⚠ : This is the safety alert symbol. It is used to alert you to potential personal injury hazards. Obey all safety messages that follow this symbol to avoid possible injury or death.

⚠ WARNING

A WARNING indicates a hazardous situation which, if not avoided, could result in death or serious injury.

NOTICE

A NOTICE indicates special precautions that must be taken to avoid damage to the outboard motor or other property.

TIP:

A TIP provides key information to make procedures easier or clearer.

The following abbreviations are used in this quick installation manual.

DEC: Digital Electronic Control

PTT: Power Trim & Tilt

EKS: Electronic Key Switch

Y-COP: Yamaha Customer Outboard Protection

MOB: Man overboard

**Wireless station
INSTALLATION MANUAL
©2026 by Yamaha Motor Co., Ltd.
1st Edition, February 2026
All rights reserved.
Any reprinting or unauthorized use
without the written permission of
Yamaha Motor Co., Ltd.
is expressly prohibited.
6X9-28107-L1-E0**

CONTENTS

| | |
|--|-----------|
| Important information | 1 |
| Precautions on Wireless Station system installation | 1 |
| Read labels and related manuals | 1 |
| Rigging kit contents | 2 |
| Wireless controller | 2 |
| Wireless Controller Kit (6X9-762J0-G1) | 2 |
| Optional parts | 3 |
| Cradle | 4 |
| Cradle Kit (6X9-762A0-10) | 4 |
| Component dimensions | 5 |
| Wireless hub | 5 |
| Wireless controller | 5 |
| Cradle | 6 |
| Basic rigging procedure | 7 |
| Wireless hub | 7 |
| Precautions for mounting | 7 |
| Installing the wireless hub | 8 |
| How to connect with the lighting | 13 |
| How to connect with the windlass relay | 13 |
| Cradle | 15 |
| Installing the cradle | 15 |
| Installing the wire lead | 19 |
| System diagram | 20 |
| Single engine application | 20 |
| Flush side mount application | 21 |
| Twin engine application | 22 |
| Triple engine application | 23 |
| Quad engine application | 24 |
| Quint engine application | 25 |
| Appendix | 27 |
| Template (actual size) | 27 |

Important information

Observe the installation procedures and precautions described in this manual. If the equipment is not installed correctly, the system may not function properly. After the installation is complete, make sure to carry out adjustments. Otherwise, the system may not function properly.

A wireless station system can be added to the joystick.

Precautions on Wireless Station system installation

- Do not install the wireless hub, wireless controller, and cradle in a location where they may easily be stepped on or where they may become obstacles.
- Do not install the cradle in a place where it is regularly within 20 cm (7.87 in) of your body.
- Do not install the cradle at a height of more than 2 m (78.7 in), as there is a risk of injury if it falls.
- Do not install the cradle near objects that generate magnetism.
- Do not install the cradle in a place where it will be exposed to direct sunlight.
- The recommended boat size for installing the Wireless Station System is 40 feet or less. For devices larger than this, please give careful consideration to the location of the wireless hub, such as placing it directly behind the pilot's seat where radio waves can reach easily.
- If the location where the wireless hub is installed is completely covered with metal materials, the communication distance will be shortened. (Aluminum console etc.)
- Connect the windlass relay and light that match the rating. (windlass relay: 3A or less, light: 2A or less)
- Connect the ground of the windlass relay and light to the negative wire of the Helm Master EX system battery.
- Do not bend the water-resistant heat-shrinkable tube of the main bus wire or the pigtail bus wire any more than 45°.
- Install the wire harnesses so that they do not come into contact with any edges or moving parts that may cause shearing. Do not apply excessive force when pulling on the wire harnesses to lay them out.
- Fix the wire harnesses in place without pulling them unduly.
- Install the system in a location that will not hinder operation of any of the components, referring to the dimensional drawing.
- Use the supplied template to cut holes in the dashboard.
- Install the system in a location where it will not be exposed to rain or wave splashes directly, or submerged in the bilge.
- Install the unit and wire harness at least 1 ft (30 cm) away from two-way radio, antenna cable, and generators to avoid pickup of noise.
- Be careful not to bind the wire harness of this system and the antenna cable together.
- Install the system in a location where the ambient temperature does not exceed 55 °C (131 °F).

Read labels and related manuals

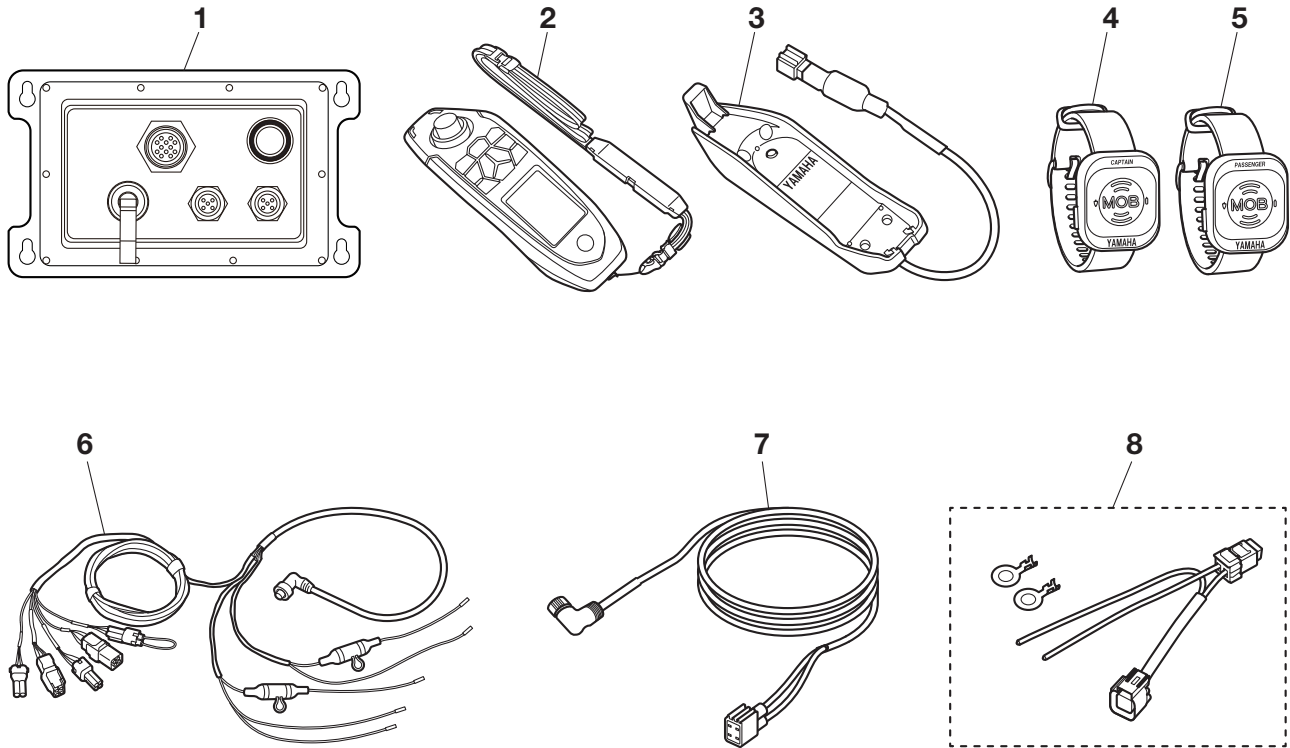
Before installing or working on this system:

- Read all labels carefully on the Wireless Station system components.
- Read this manual thoroughly and see other related manuals for outboard motors, MFD and boats for their basic operations.

Rigging kit contents

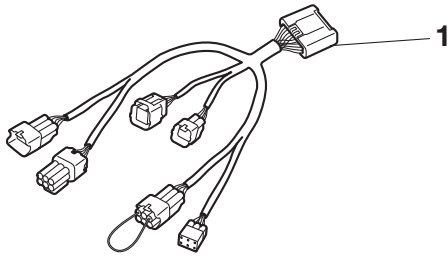
Wireless controller

Wireless Controller Kit (6X9-762J0-G1)



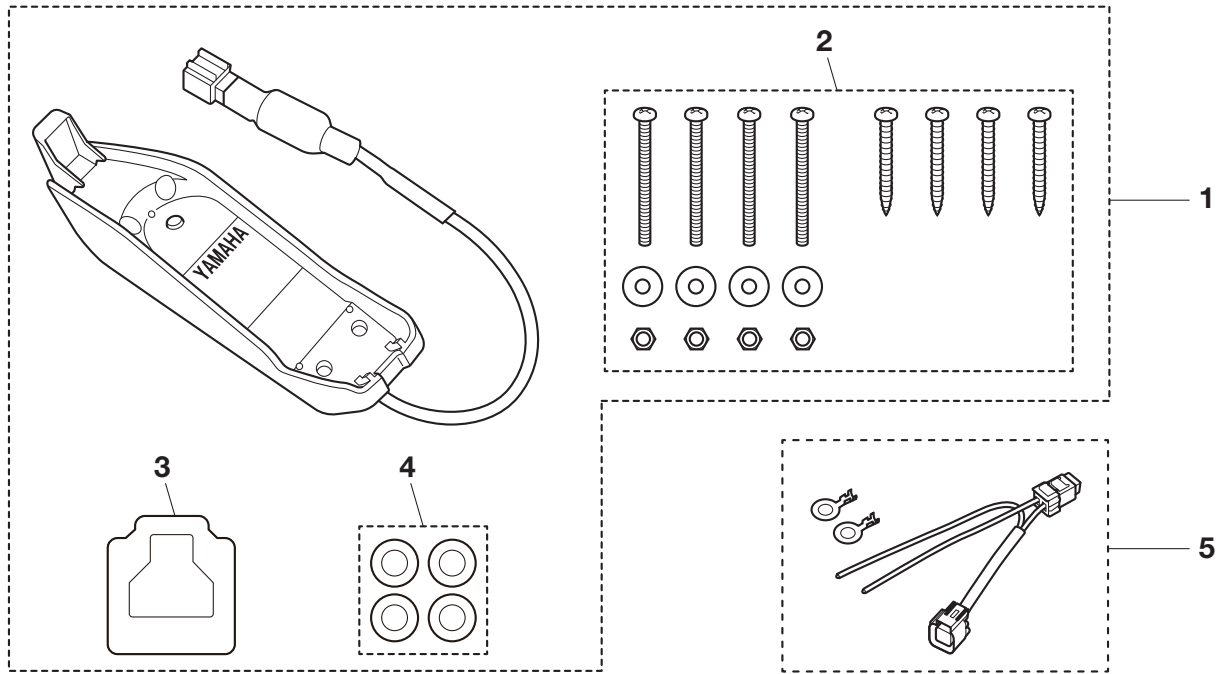
| No. | Part name | Q'ty | Part No. | Remarks |
|-----|-----------------------|------|--------------|--|
| 1 | Wireless hub | 1 | 6X9-8D1H0-01 | |
| 2 | Wireless controller | 1 | 6X9-8D1A1-01 | |
| 3 | Cradle | 1 | 6X9-8D1C0-00 | |
| 4 | Captain tag | 1 | 6X9-8D1M0-00 | MOB tag |
| 5 | Passenger tag | 1 | 6X9-8D1M0-10 | MOB tag, Additional individual parts available |
| 6 | wireless hub harness | 1 | 6X9-8356N-00 | With 3 A fuse, 3.3 m (11 ft) |
| 7 | Conversion harness | 2 | 6YM-83553-11 | 0.9 m (3 ft) |
| 8 | 12V extension harness | 1 | 6X9-88192-00 | With 3 A fuse, 0.3 m (1 ft) |

Optional parts



| No. | Part name | Q'ty | Part No. | Remarks |
|-----|--------------------|------|--------------|--|
| 1 | Conversion harness | 1 | 6X9-87226-00 | Additional harness for Triple/Quad/Quint |

Cradle
Cradle Kit (6X9-762A0-10)



| No. | Part name | Q'ty | Part No. | Remarks |
|-----|-----------------------|------|--------------|-----------------------------|
| 1 | Cradle assy | 1 | 6X9-8D1C0-00 | |
| 2 | Screw KIT | 1 | 6X9-8182V-00 | |
| 3 | Packing | 1 | 6X9-62663-00 | |
| 4 | Packing | 1 | 6X9-62664-00 | |
| 5 | 12V extension harness | 1 | 6X9-88192-00 | With 3 A fuse, 0.3 m (1 ft) |

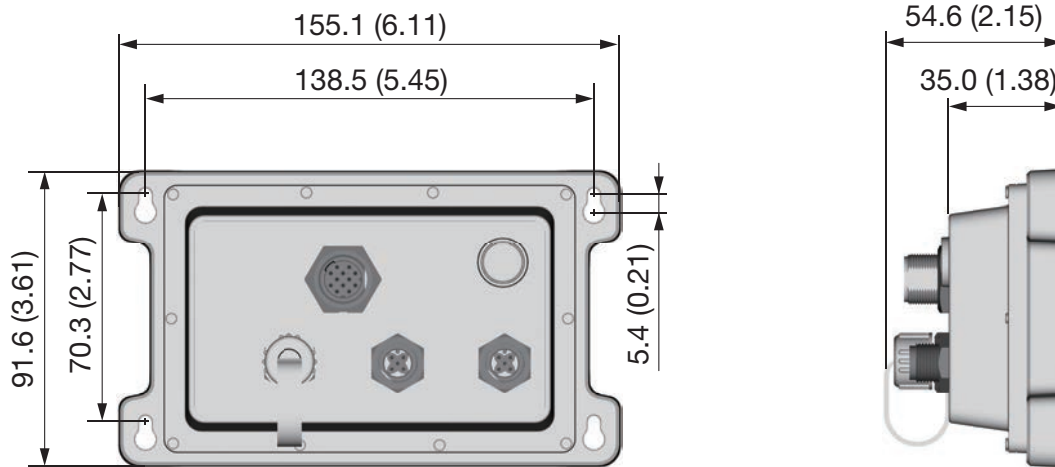
Component dimensions

Dimensions of the wireless station system components are shown below.
Confirm that there is enough space for the installation.

Wireless hub

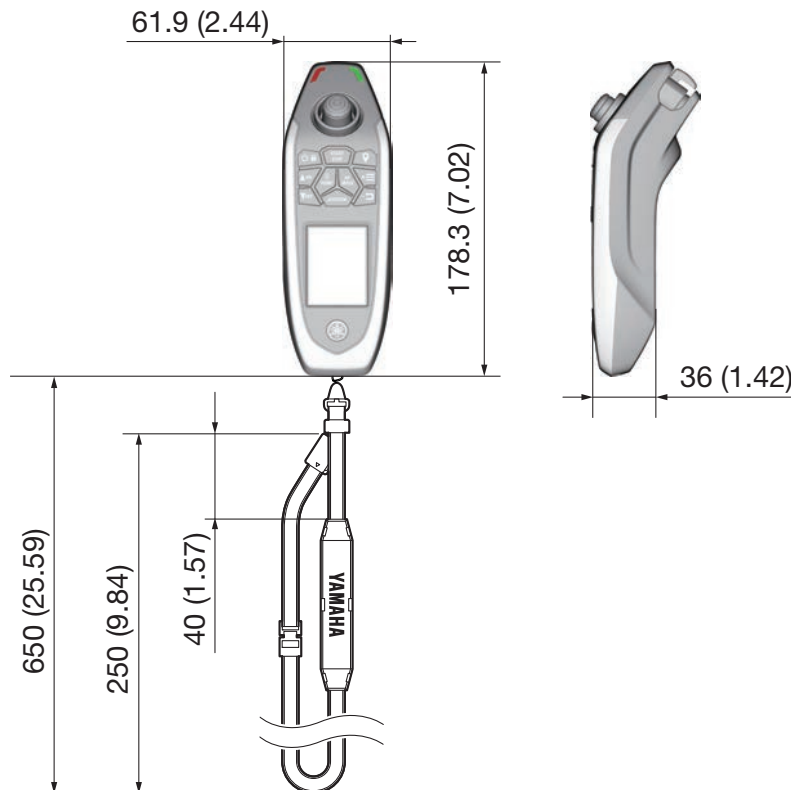
See “Wireless hub” (27) in Template.

mm (in)



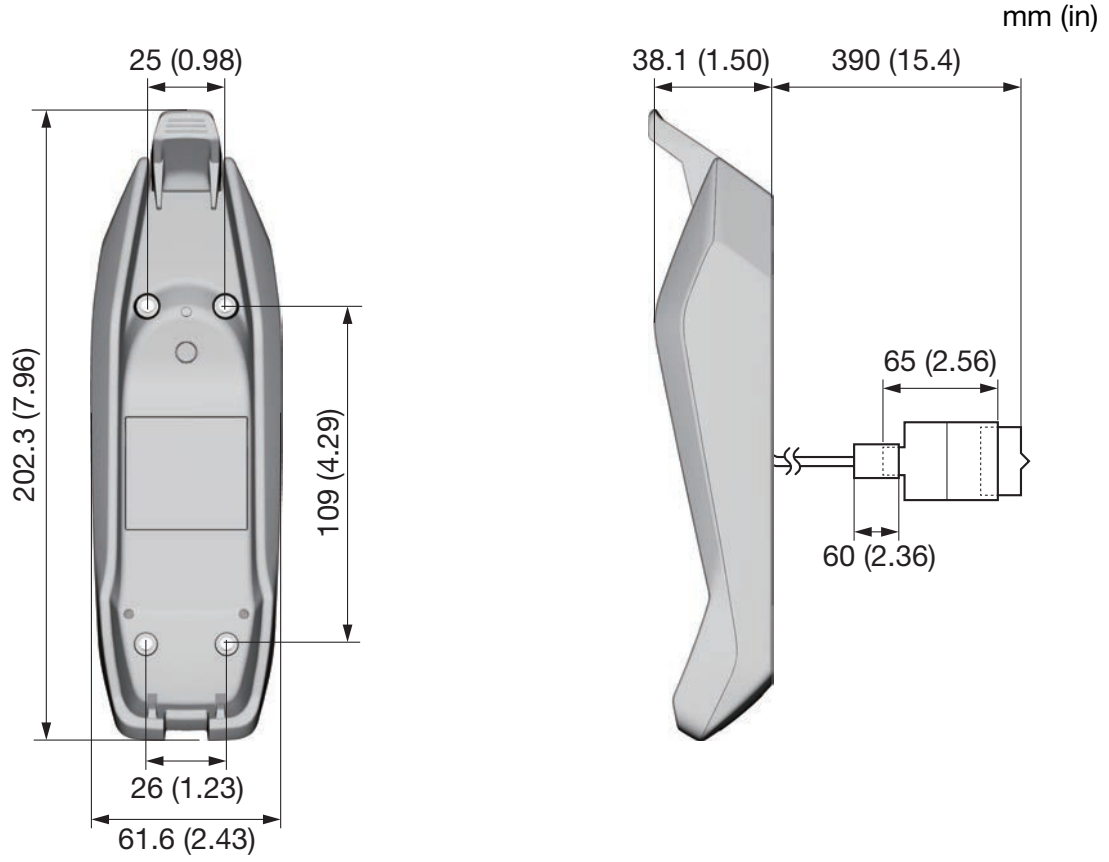
Wireless controller

mm (in)



Cradle

See "Cradle" (29) in Template.



Basic rigging procedure

Wireless hub

The location of the wireless hub is very important for safe and correct use of the wireless station system.

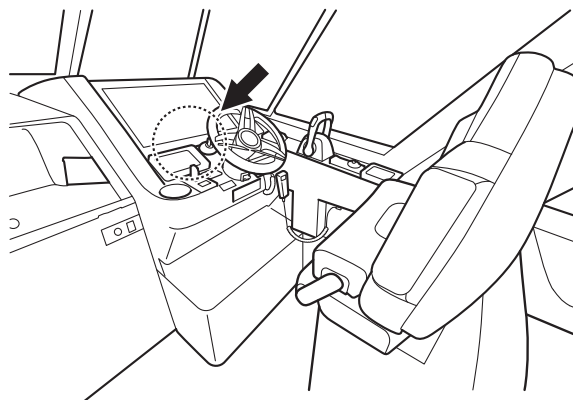
Precautions for mounting

When deciding the mounting location, note the following:

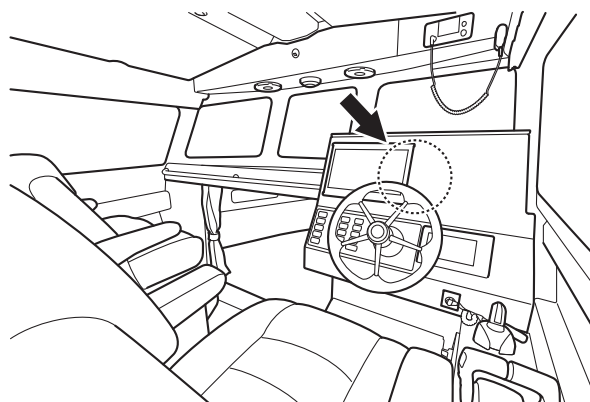
- Place wireless hub in the center of the boat.
- Avoid the vicinity of devices that generate electromagnetic articles. (Example: Install at least 0.6 m (2 ft) from the microwave oven.)
- If the location where the wireless hub is installed is completely covered with metal materials, the communication distance will be shortened. (Aluminum console etc.)
- After installing the wireless hub, be sure to conduct a communication test with the wireless controller to ensure that communication (antennas) is at its maximum.

Example:

Please install it near the back of the main console.



Please install it near the back of the display.



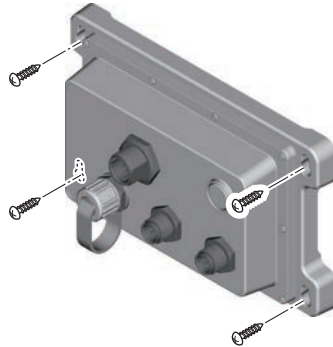
Installing the wireless hub

1. Determine the wireless hub installation position.

NOTICE

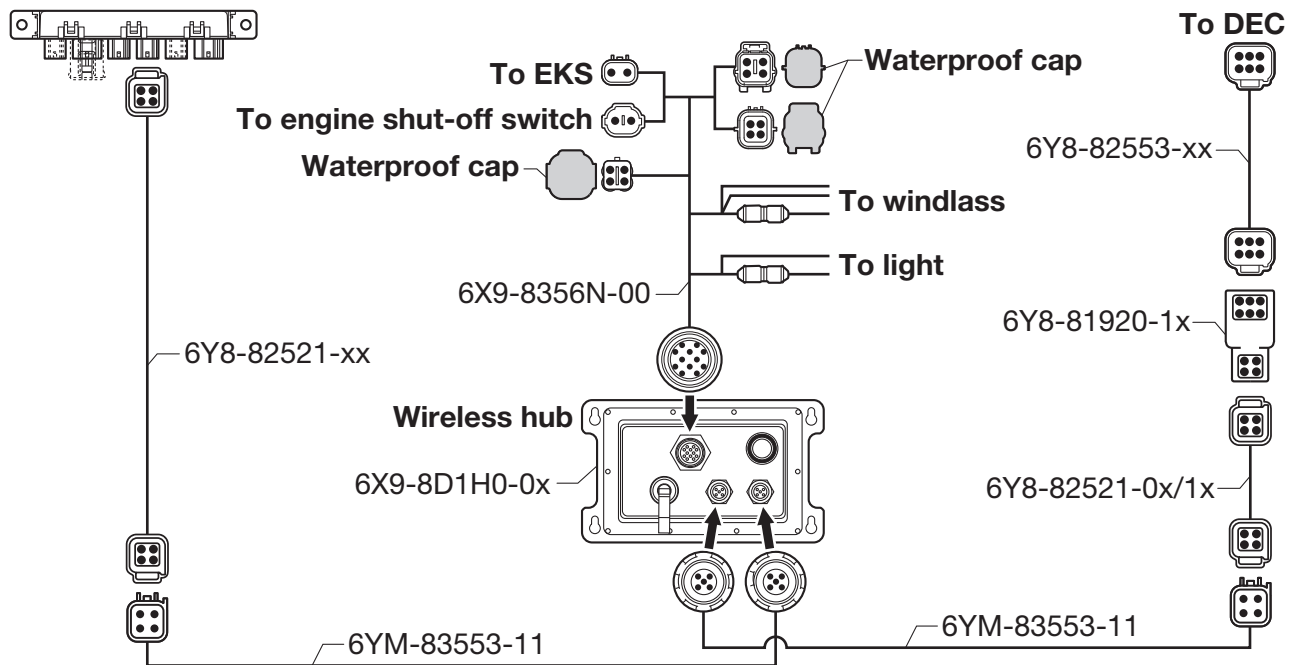
Avoid the vicinity of devices that generate electromagnetic articles. (Example: Install at least 0.6 m (2 ft) from the microwave oven.)

2. Make holes in the console using the template. See “Wireless hub” (page 27) in Template. Secure the wireless hub with the included screws.

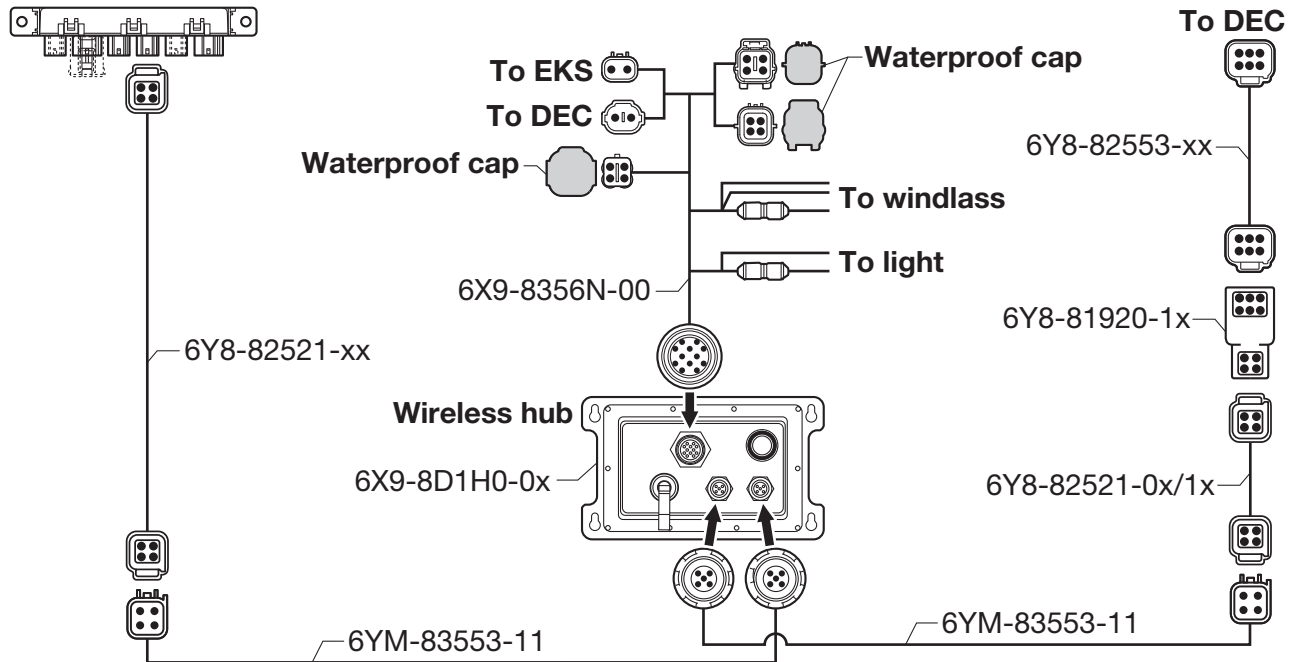


3. Connect the wireless hub harness and conversion harnesses.

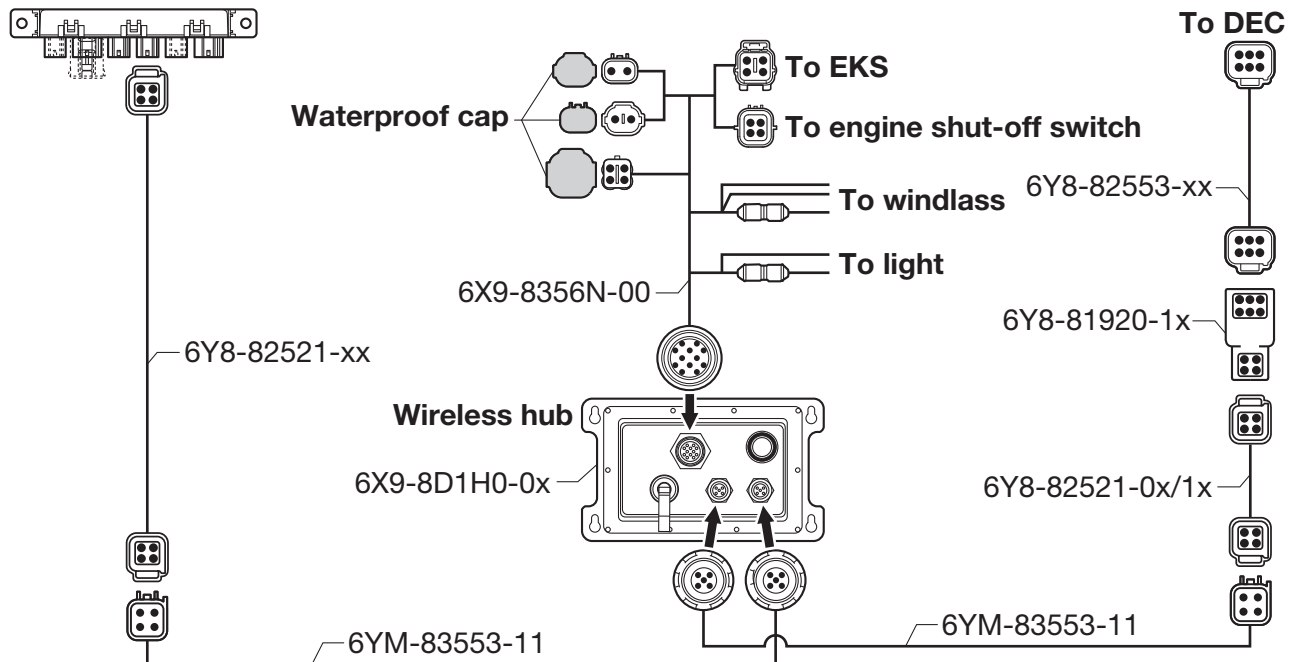
Single engine application



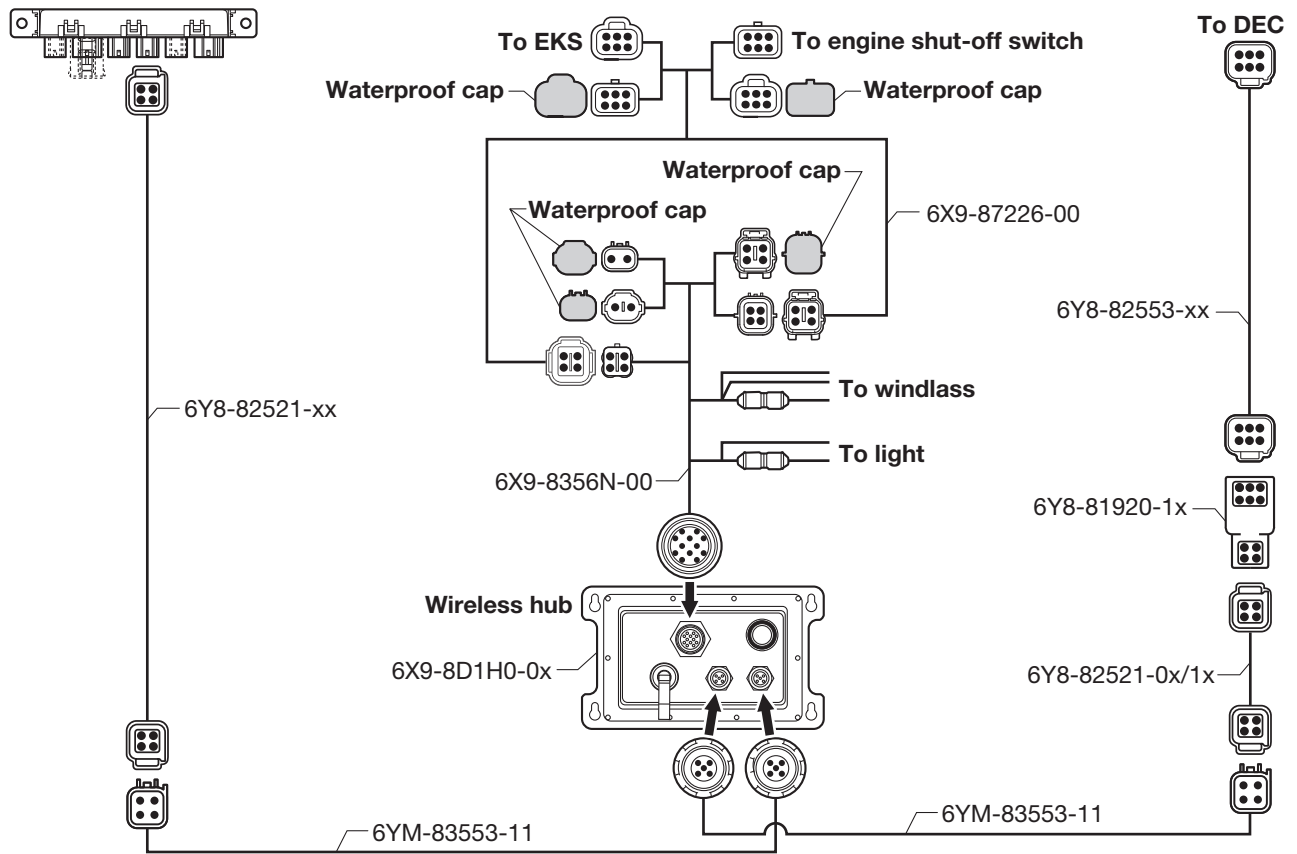
Flush side mount application



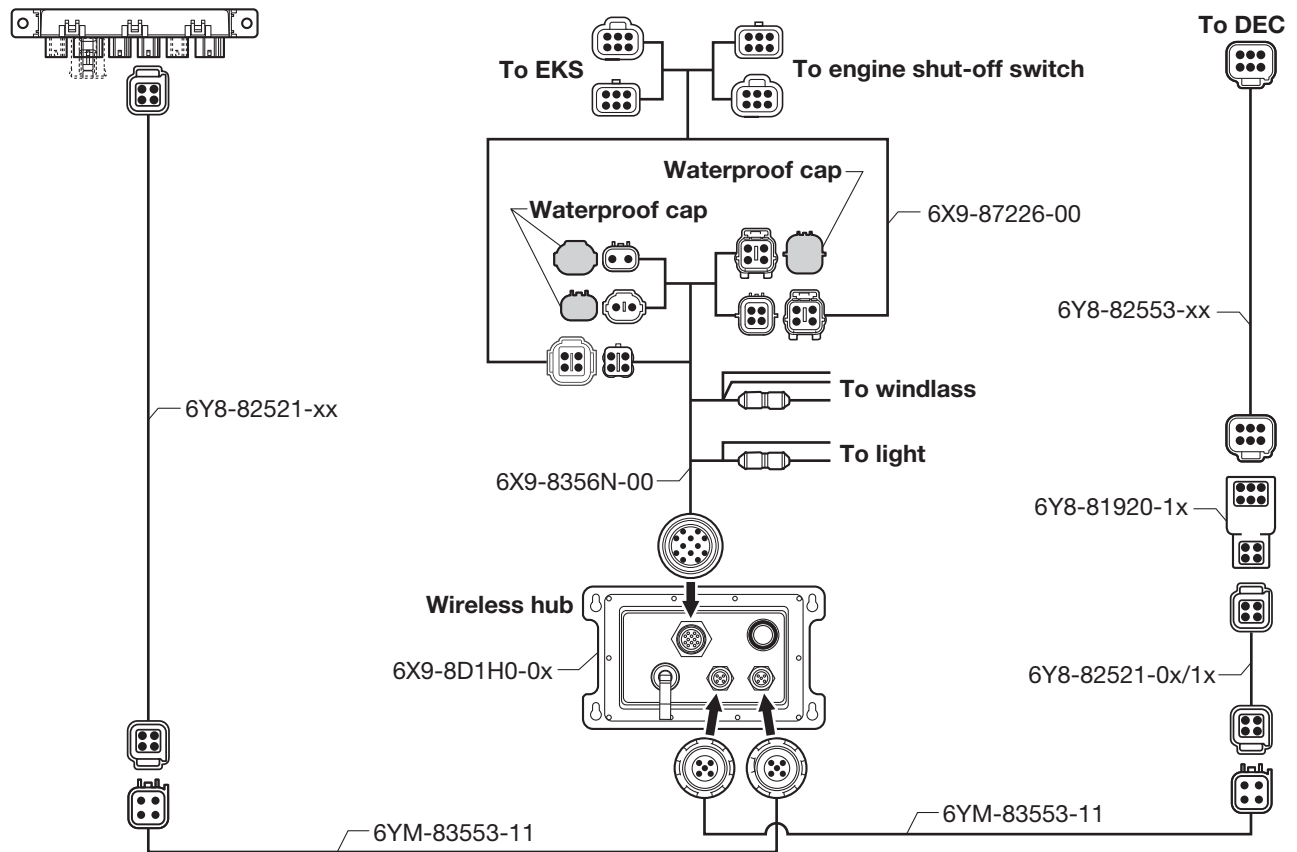
Twin engine application



Triple engine application

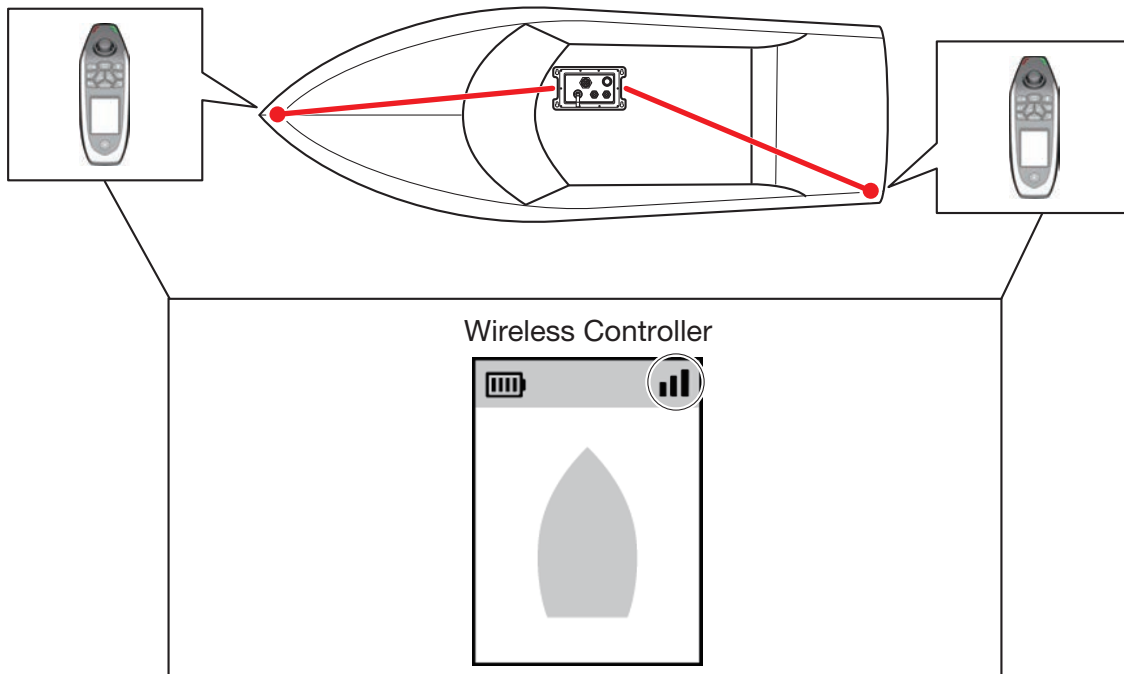


Quad/Quint engine application



TIP:

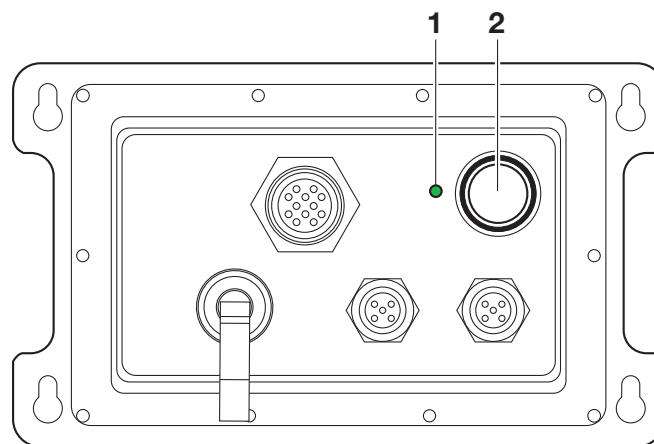
- After installing the wireless hub, be sure to conduct a communication test with the wireless controller to ensure that communication (antennas) is at its maximum.
- If two antennas or less, change the wireless hub place or check for any radio interference. Then, try test again.



Wireless hub LED function

| LED Color | Status |
|--------------|-------------------------------------|
| Green blink | Operational |
| Yellow blink | Degraded and Operational |
| | Wakeup |
| Red blink | Error or Non-operational |
| Red light | Factory Reset (Press the button x5) |
| Blue blink | Pairing Mode (Press the button x3) |
| Purple blink | Software Update |

TIP: _____
 After factory reset, please make sure to reboot each time.



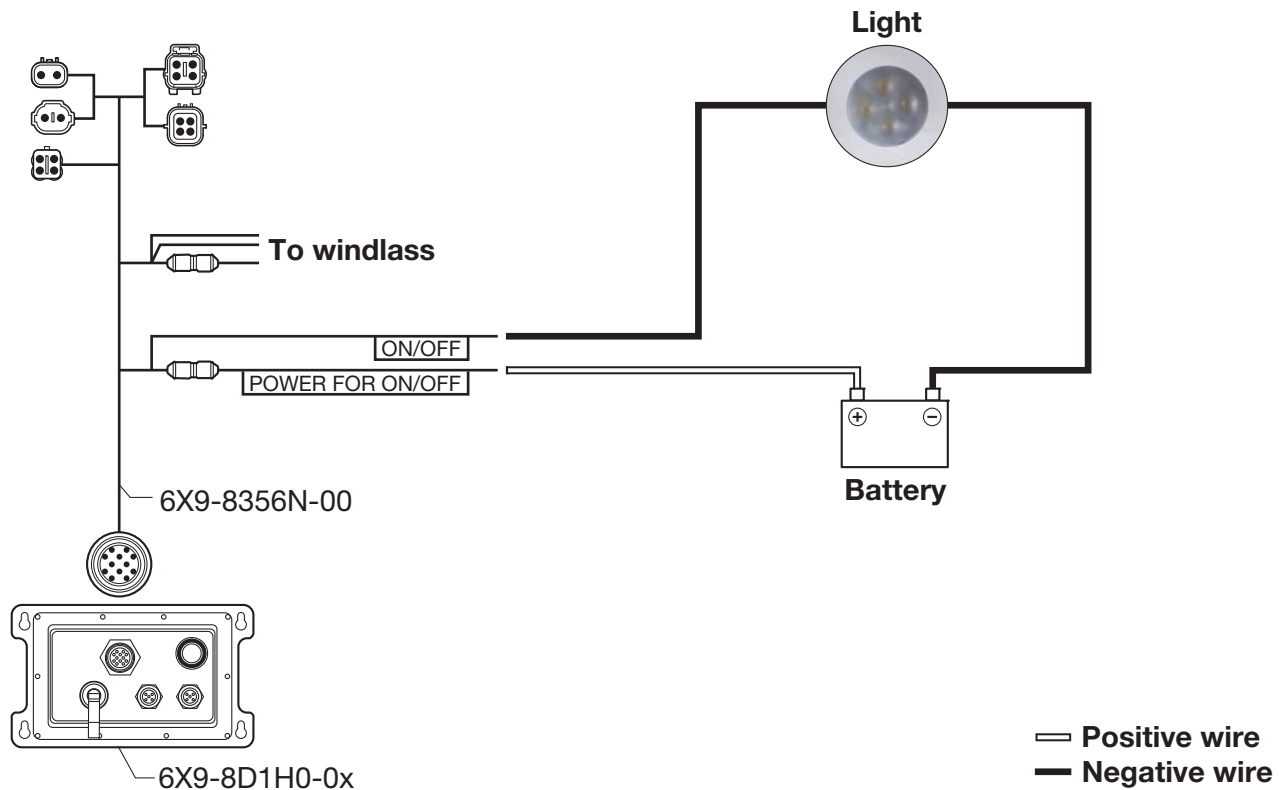
- 1. LED
- 2. Button

How to connect with the lighting

1. Make sure labels of ON/OFF and POWER_ON/OFF on the harness and connect each wire to the lighting.

NOTICE

- Only available for 12 V lighting.
- The light current rating must be less than 2 A. If it exceeds this value, the fuse (3 A) on the harness may be blow.
- The negative wire of the battery connected to the lighting and the negative wire of the Helm master EX starting battery must be connected in common. If not, the lighting will not operate correctly.

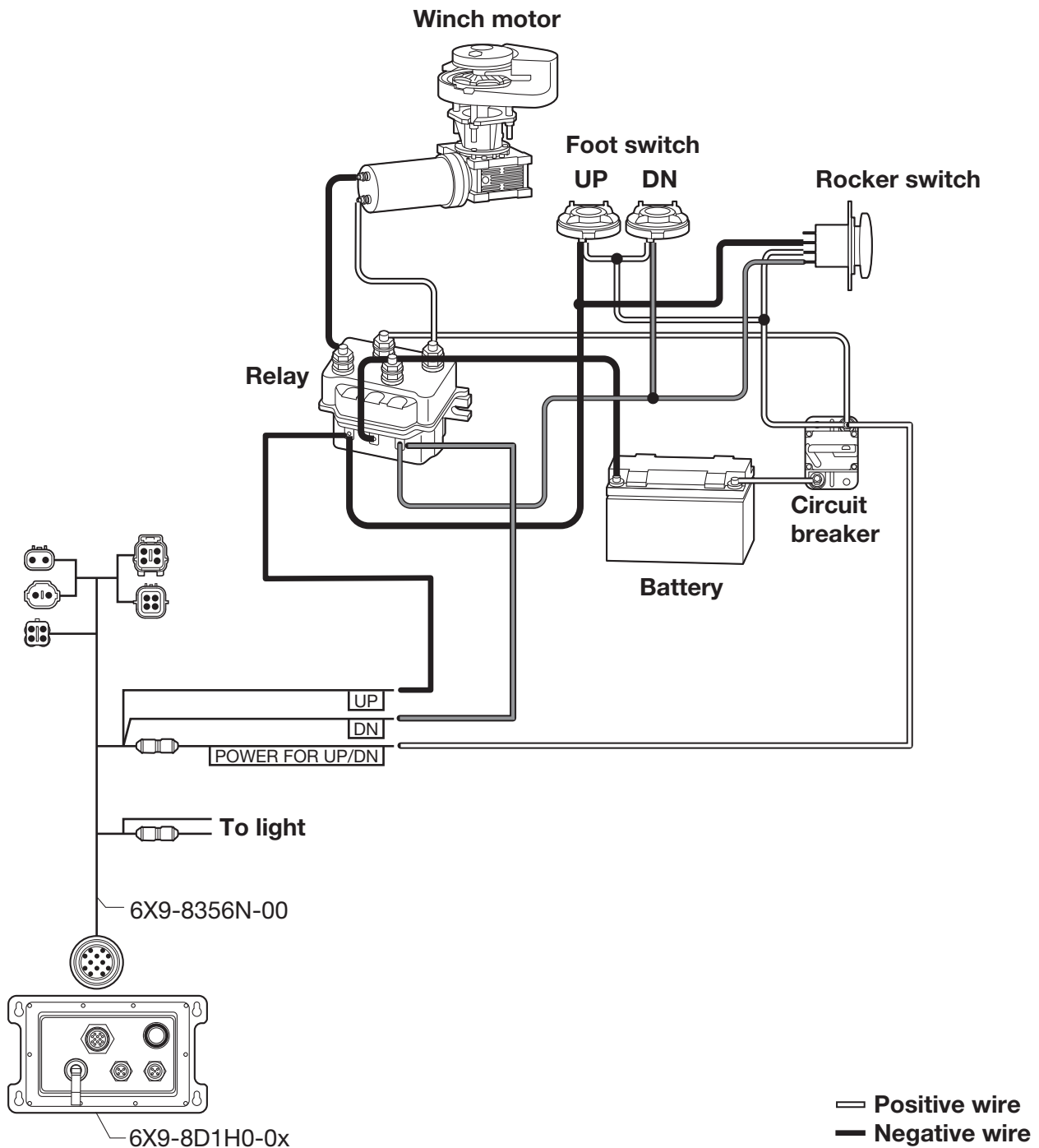


How to connect with the windlass relay

1. Make sure labels of UP, DN and POWER_UP/DN on the harness and connect each wire to the windlass relay.

NOTICE

- Can be used with both 12 V and 24 V windlass systems.
- The relay excitation coil current rating must be less than 3 A. If it exceeds this value, the fuse (3 A) on the harness may be blow.
- The negative wire of the battery connected to the relay and the negative wire of the Helm master EX starting battery must be connected in common. If not, the relay will not operate correctly.

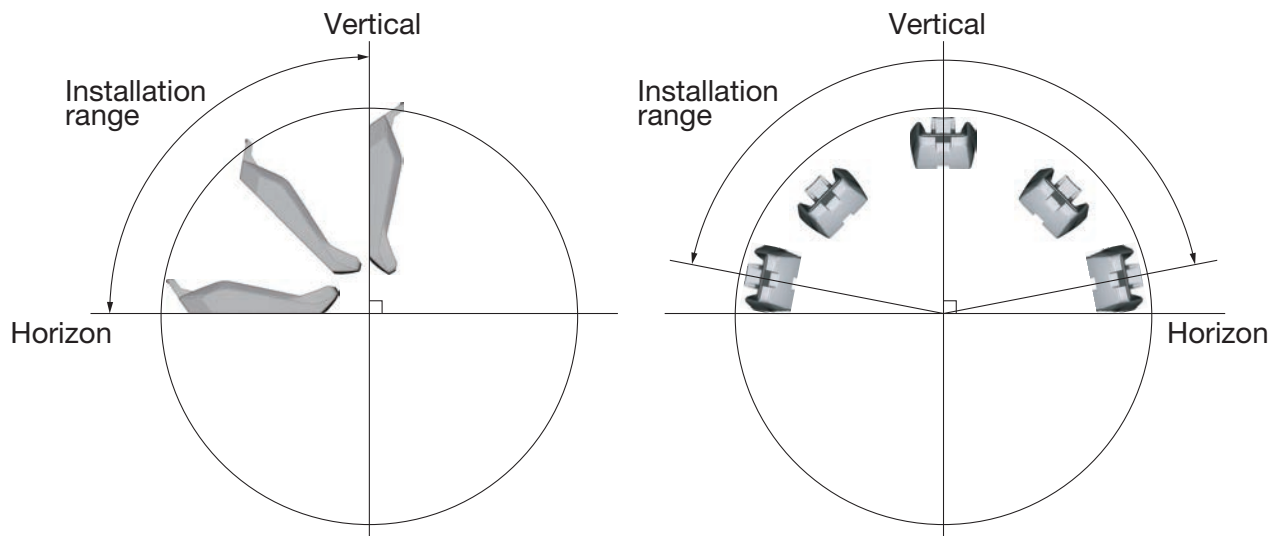


Cradle

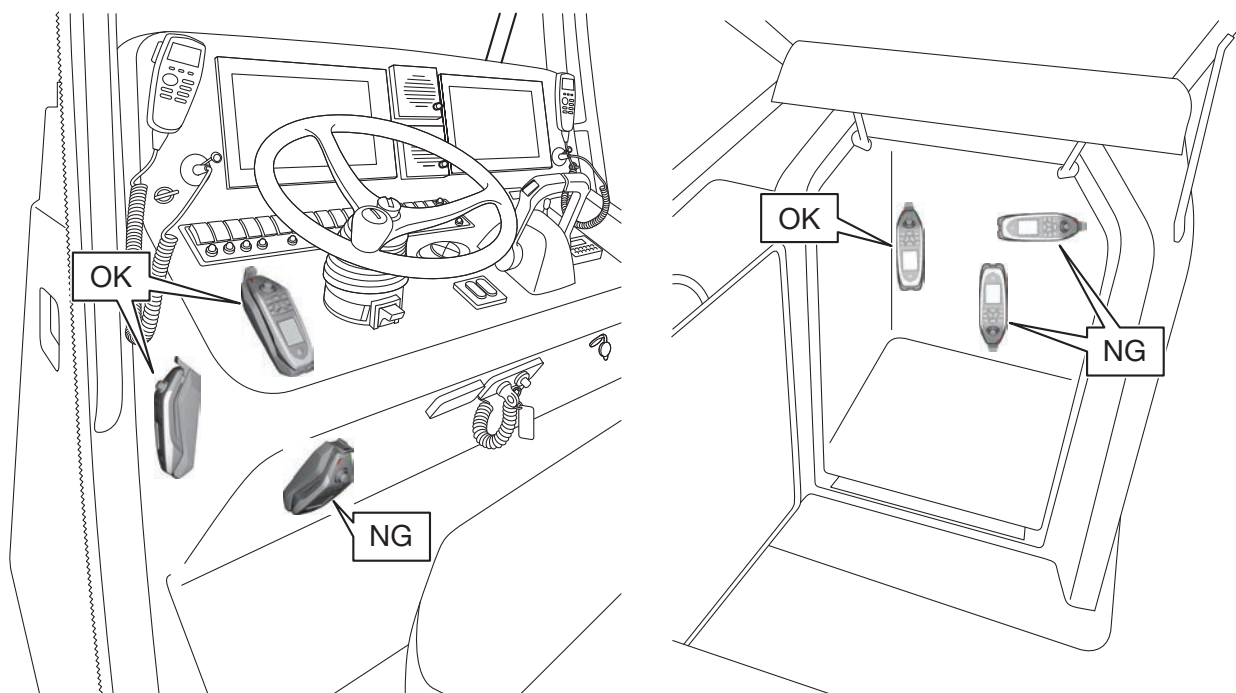
Installing the cradle

NOTICE

- Make sure to install the cradle with the lever side facing upward. The wireless controller may fall when you remove it.
- When storing your boat, keep it out of the rain to prevent water from entering the boat through the mounting holes in the console.
- The installation angle must be as shown in the diagram below, and do not install at any other angle.



Installation example:

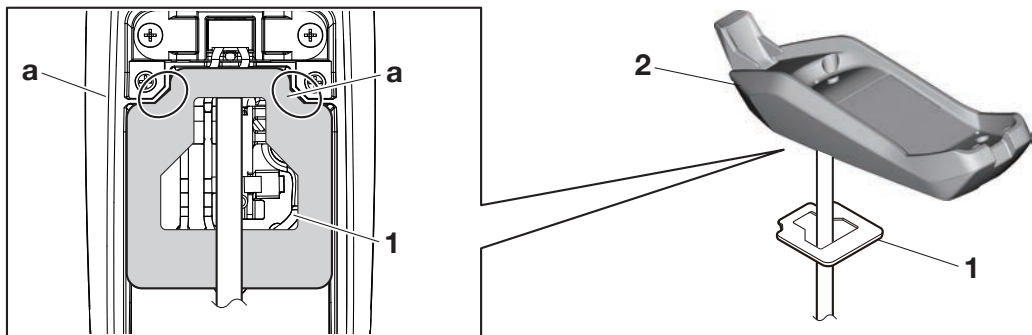


Installing the seals

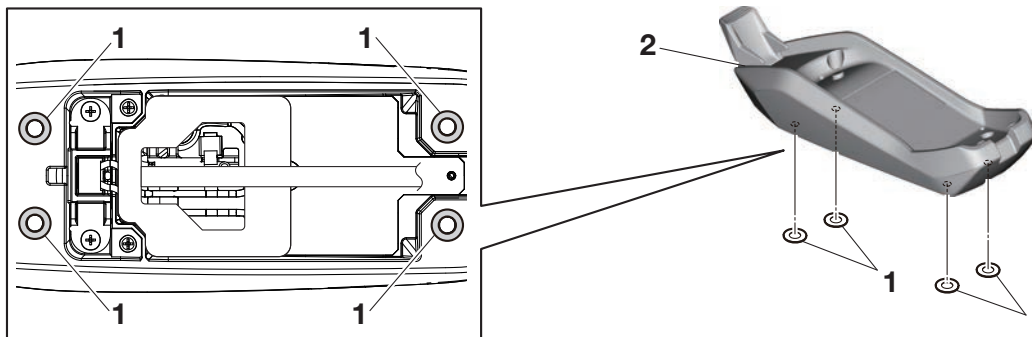
1. Pass the lead through the hole in seal "1" and attach seal "1" to cradle "2" as shown.

TIP:

Attach the seal "1" to the part "a" of the cradle "2".



2. Attach the seals "1" to the cradle "2".



How to install

(When passing the lead of the charging stand through the hole on the installation surface)

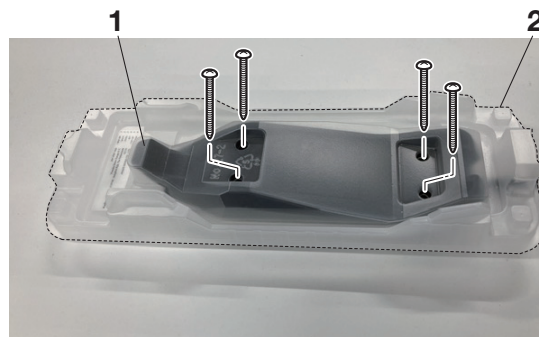
1. Determine the cradle installation position.
2. Make holes in the console using the template. See “Cradle” (page 29) in Template.
3. Pass the lead through the hole.



4. Install the cradle “1” to the installation surface.

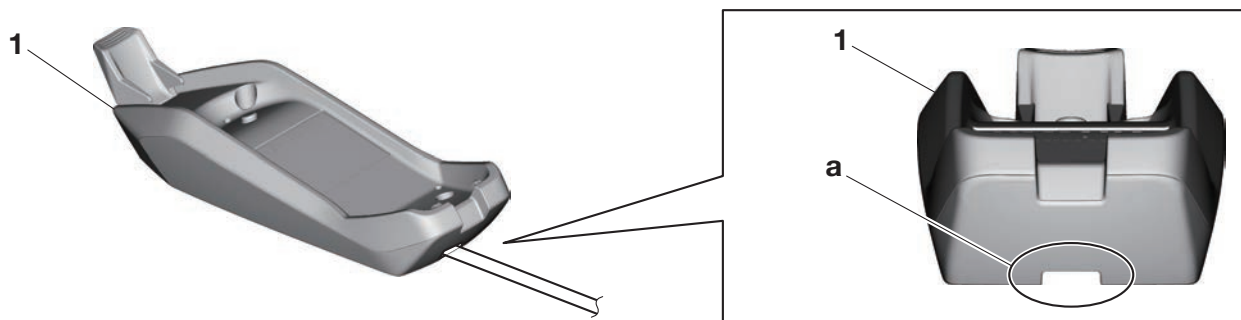
TIP:

Cover the cradle “1” with the included packing cover “2” to prevent damage to the cradle “1” when tightening the screws.



How to install (to install without making holes in the installation surface)

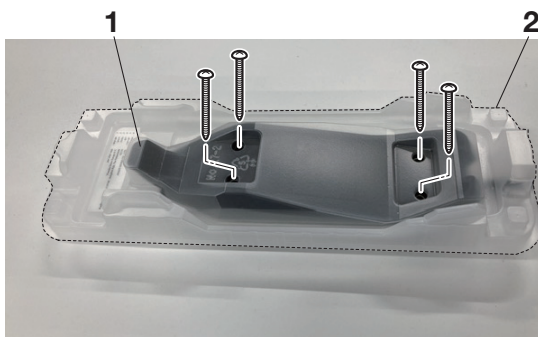
1. Determine the cradle installation position.
2. Use the template to make holes into the console for the screws. See “Cradle” (page 29) in Template.
3. Pass the lead through the groove “a” of the cradle “1”.



4. Install the cradle “1” to the installation surface.

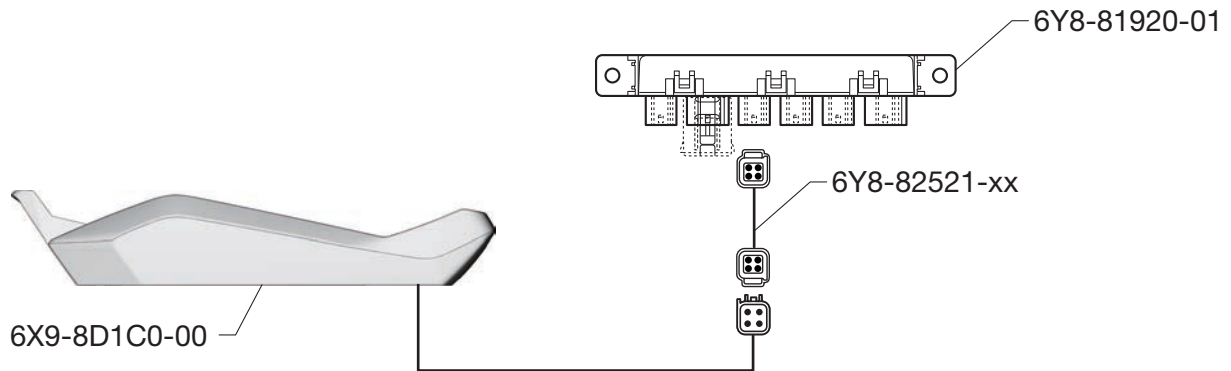
TIP:

Cover the cradle “1” with the included packing cover “2” to prevent damage to the cradle “1” when tightening the screws.



Installing the wire lead

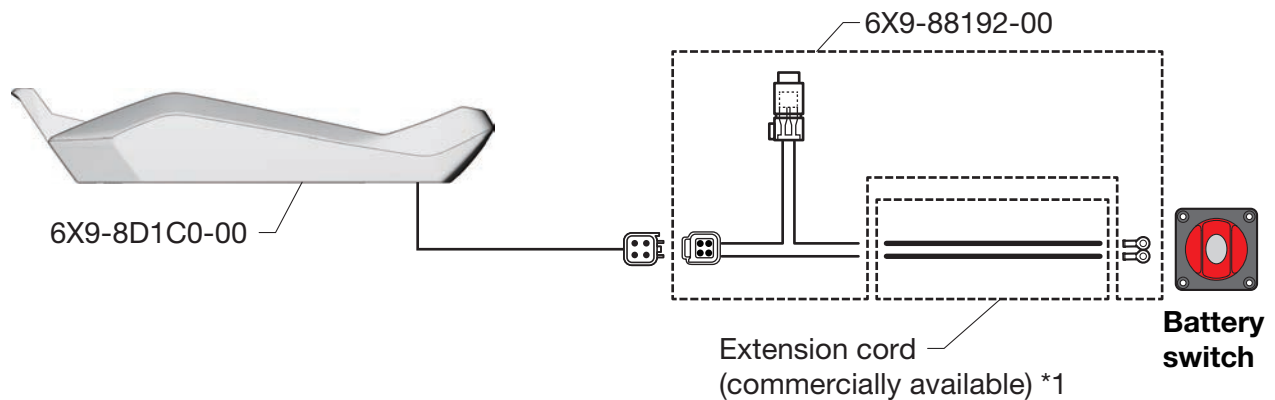
How to install (to multi-hub)



How to install (to main battery switch in the boat)

NOTICE

Do not connect directly to the starting battery. Because can cause the battery dead.

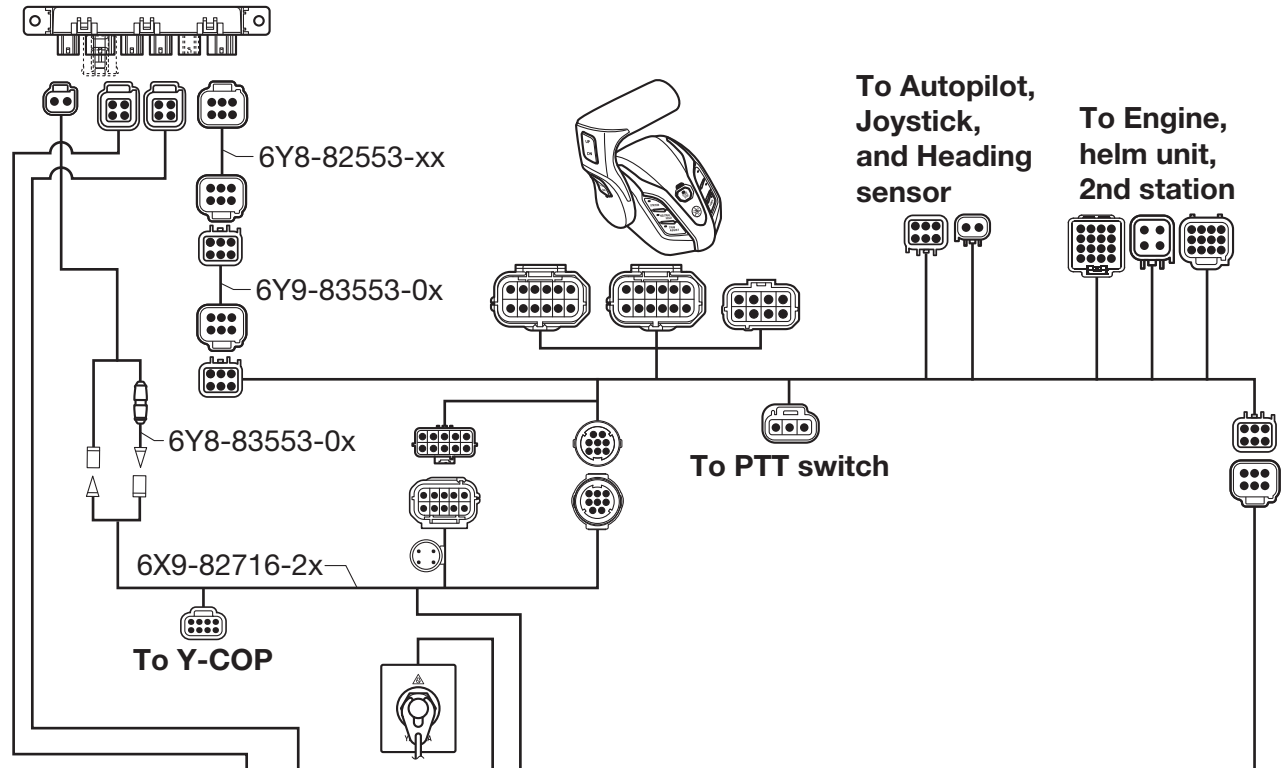


*1. The length of the 12V extension harness (6X9-88192-00) can be adjusted by attaching a commercially available extension cord.

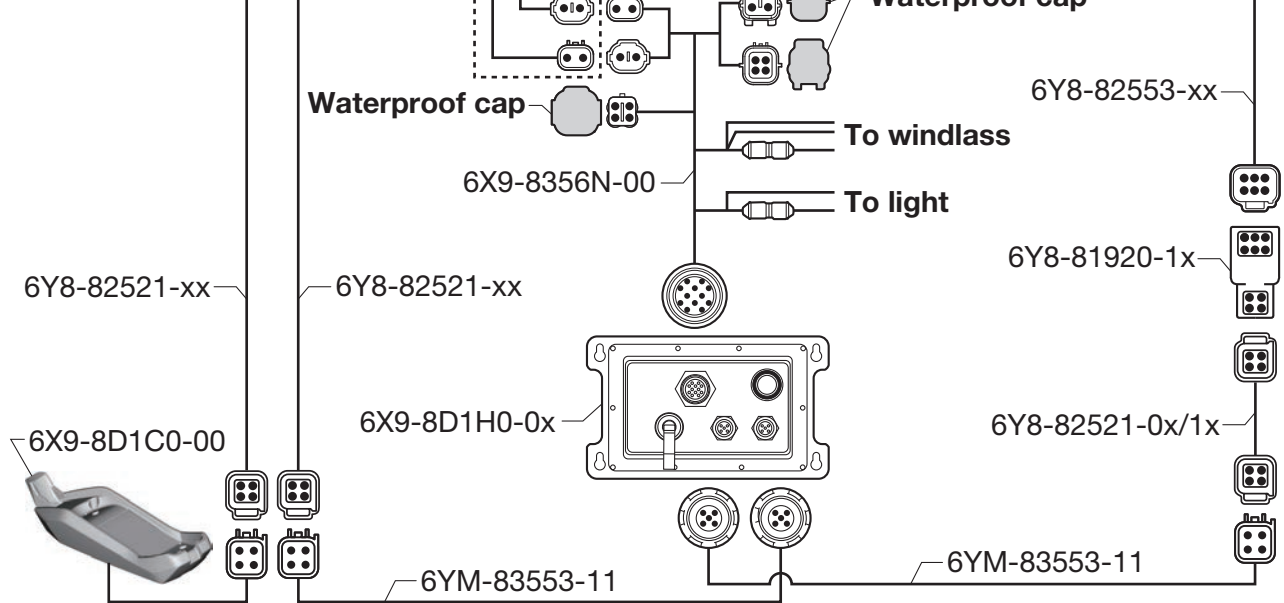
System diagram

Single engine application

Main station

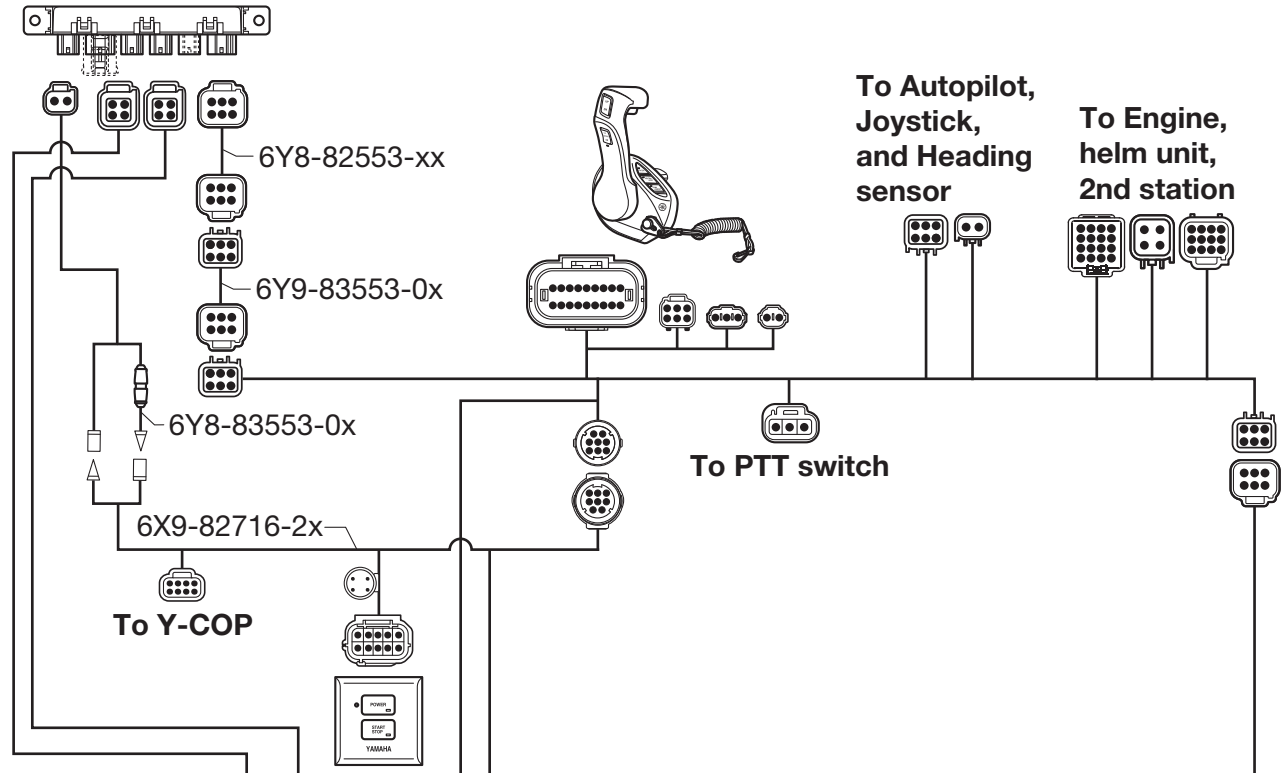


Wireless station

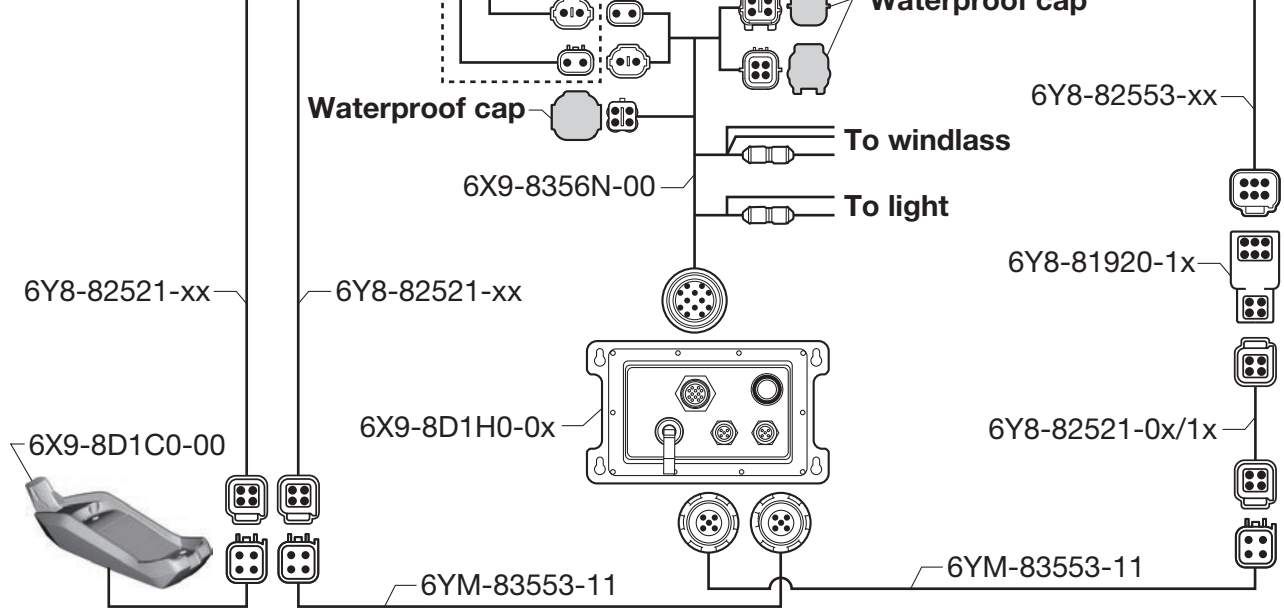


Flush side mount application

Main station

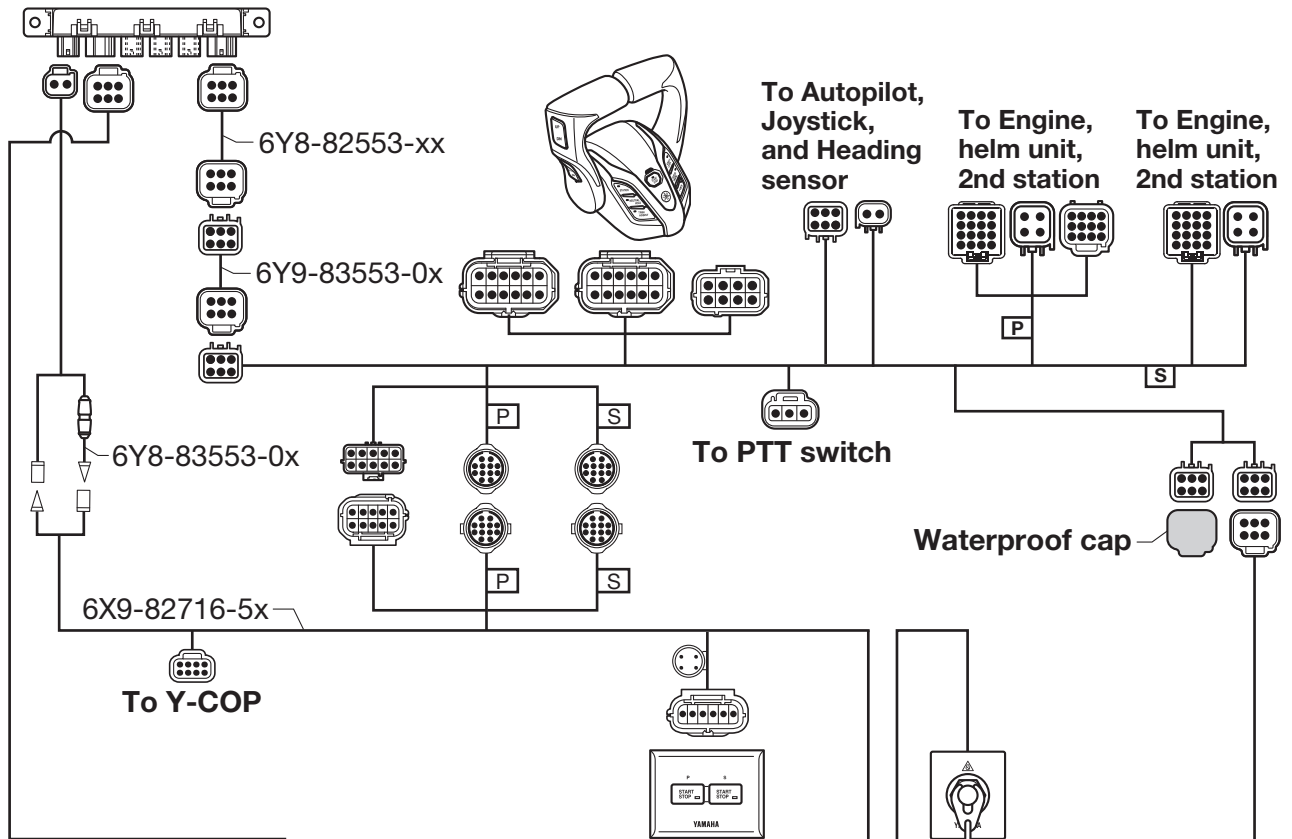


Wireless station

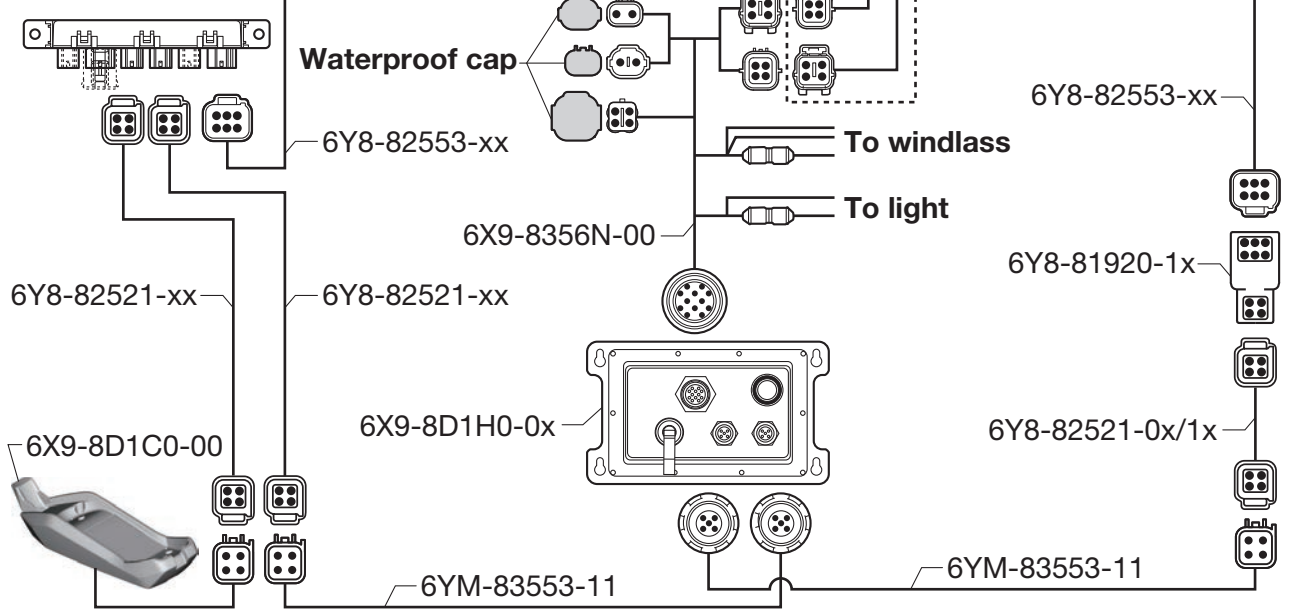


Twin engine application

Main station

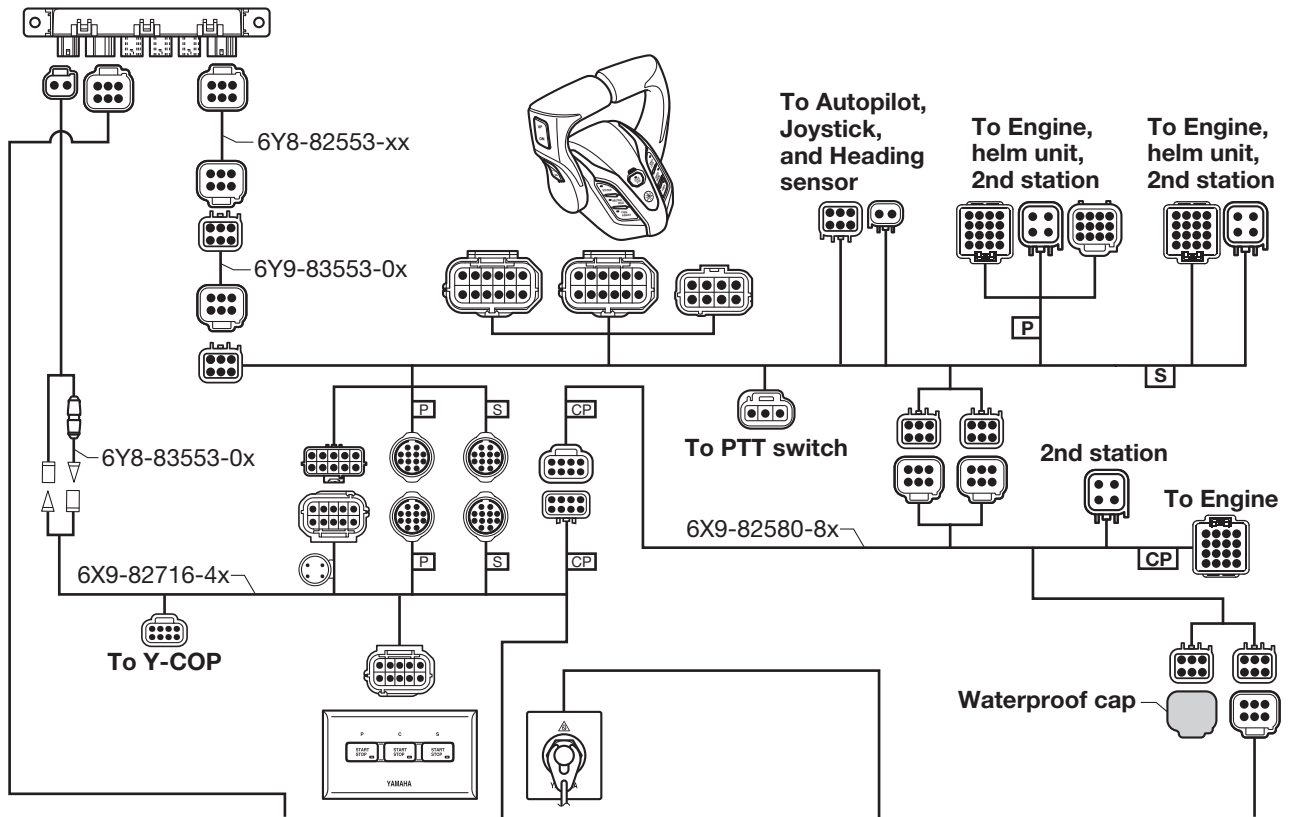


Wireless station

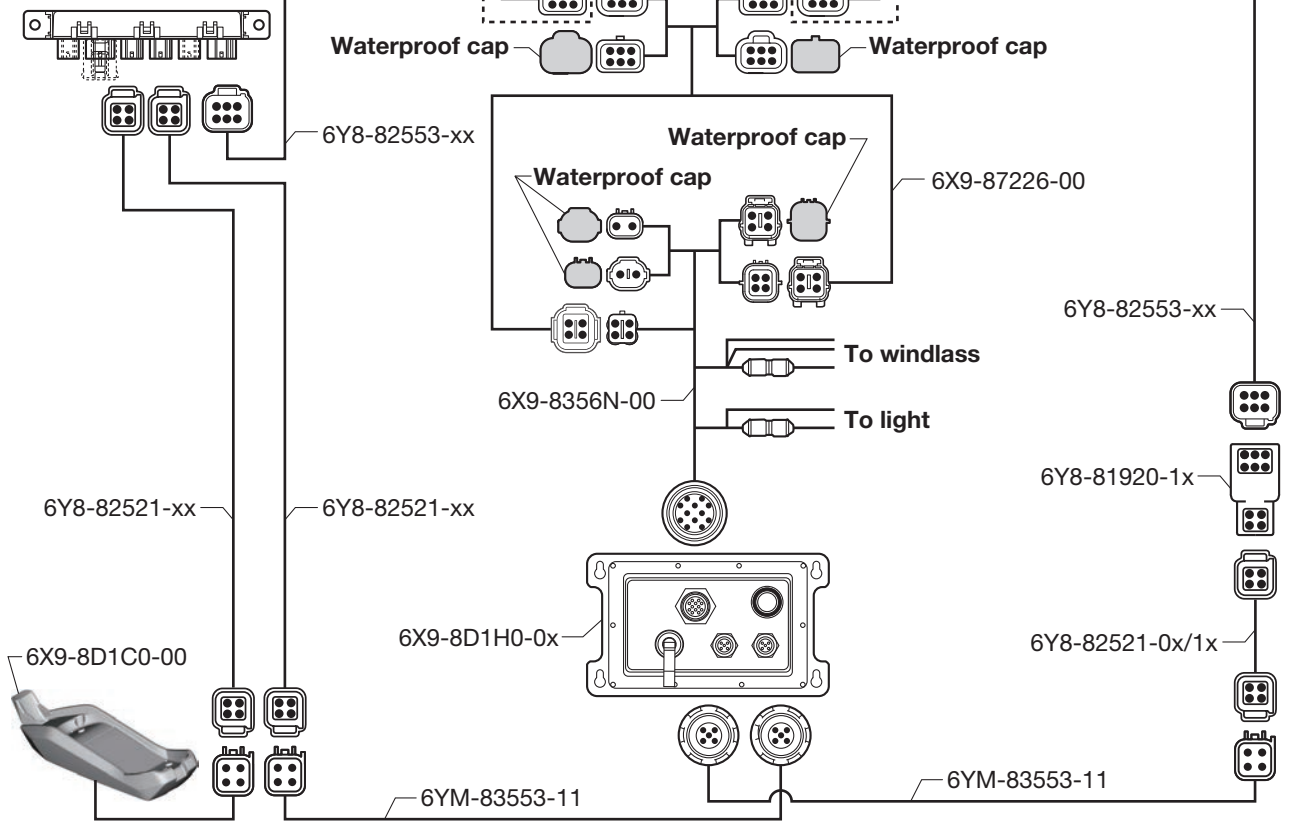


Triple engine application

Main station

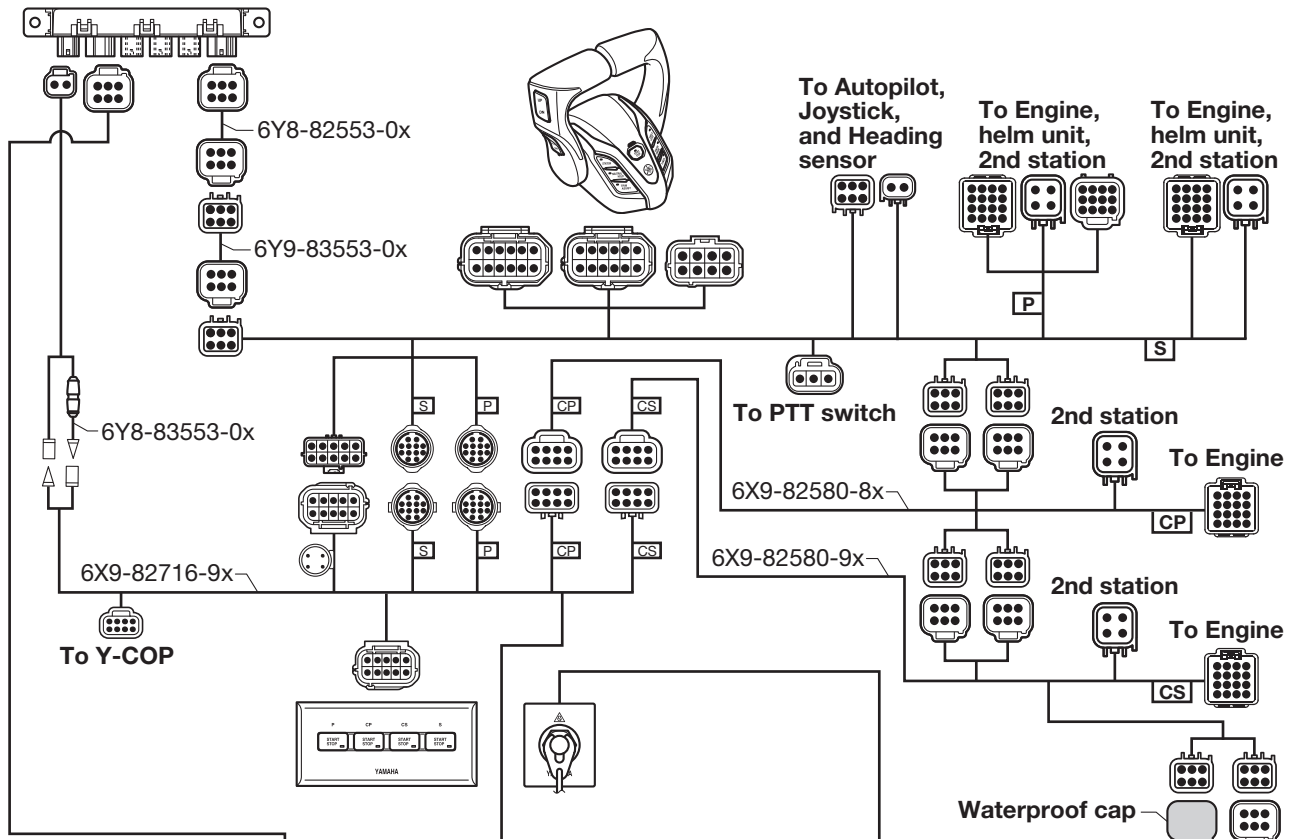


Wireless station

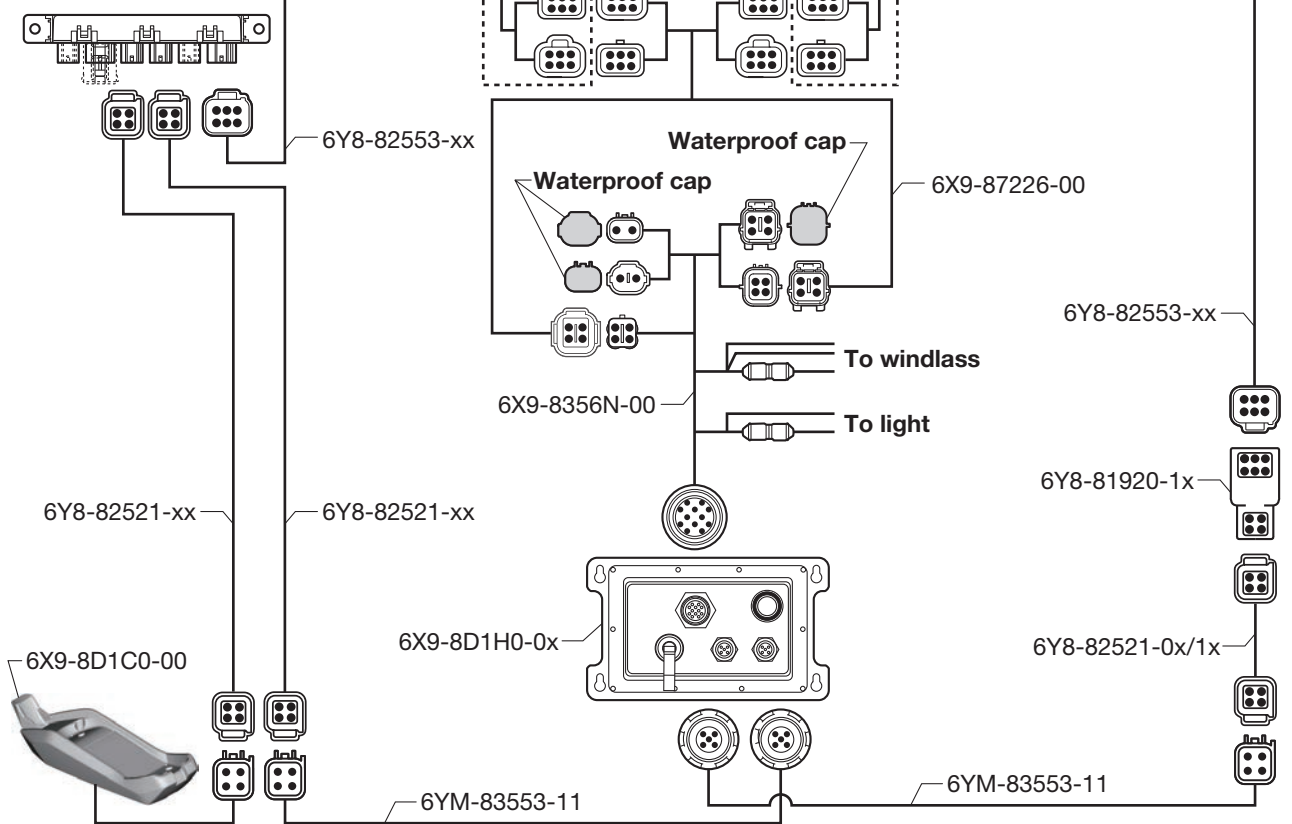


Quad engine application

Main station

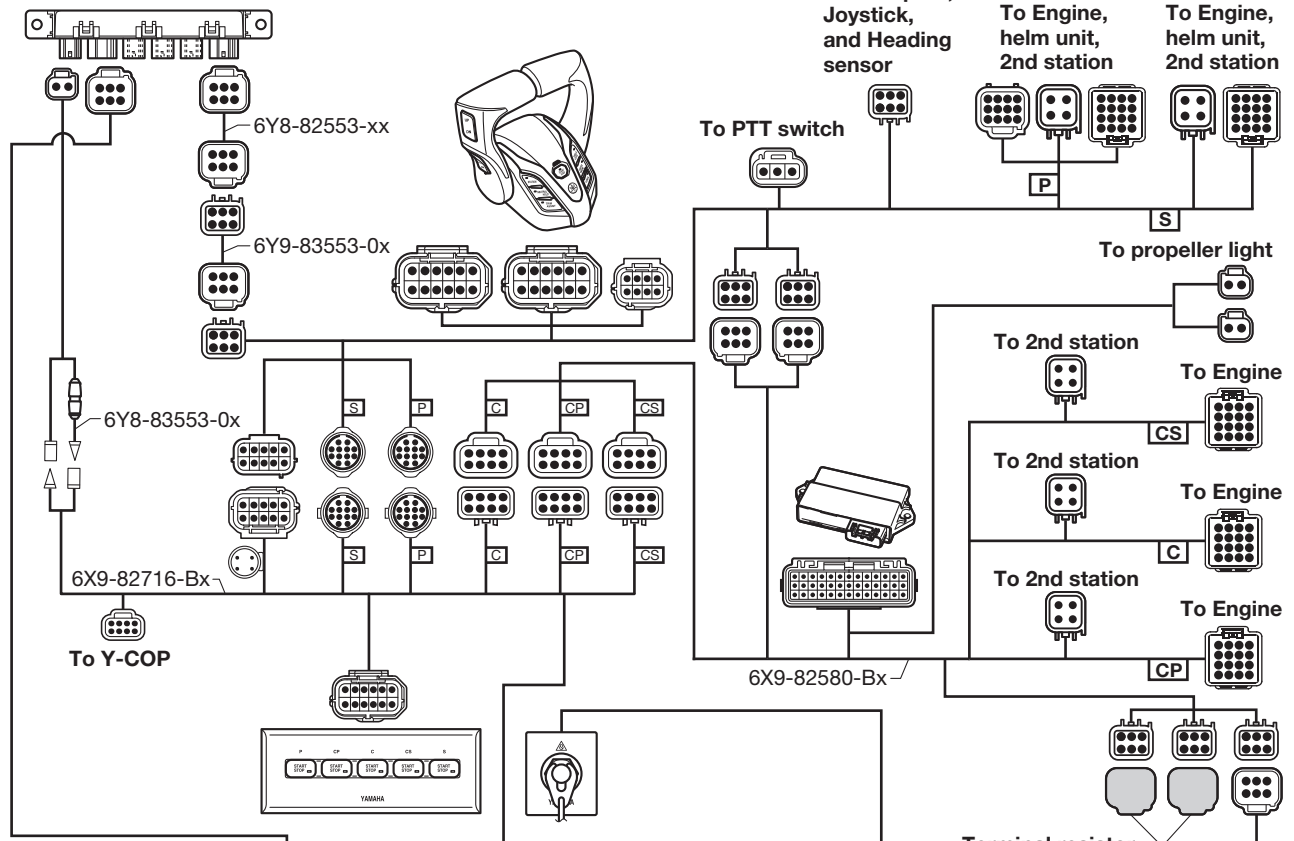


Wireless station

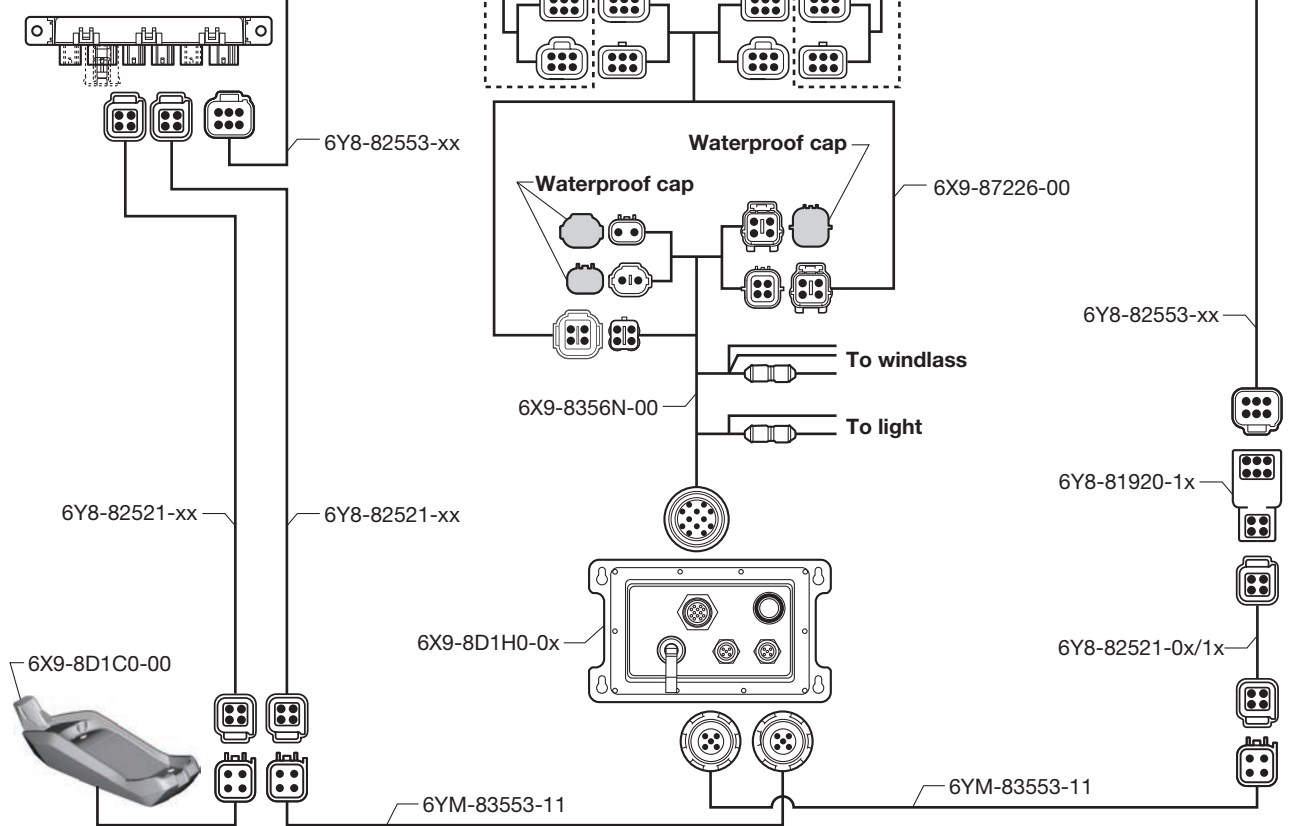


Quint engine application

Main station



Wireless station



— MEMO —

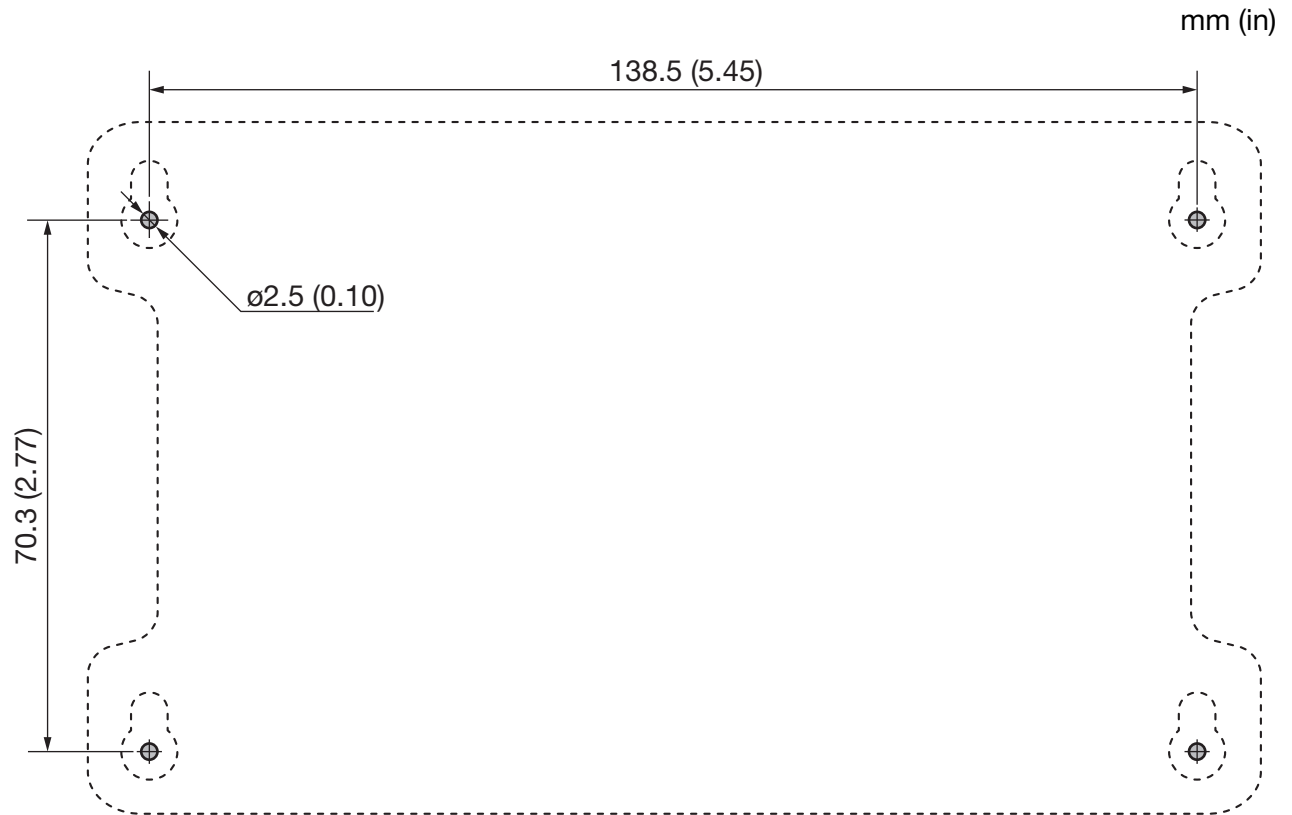
Appendix

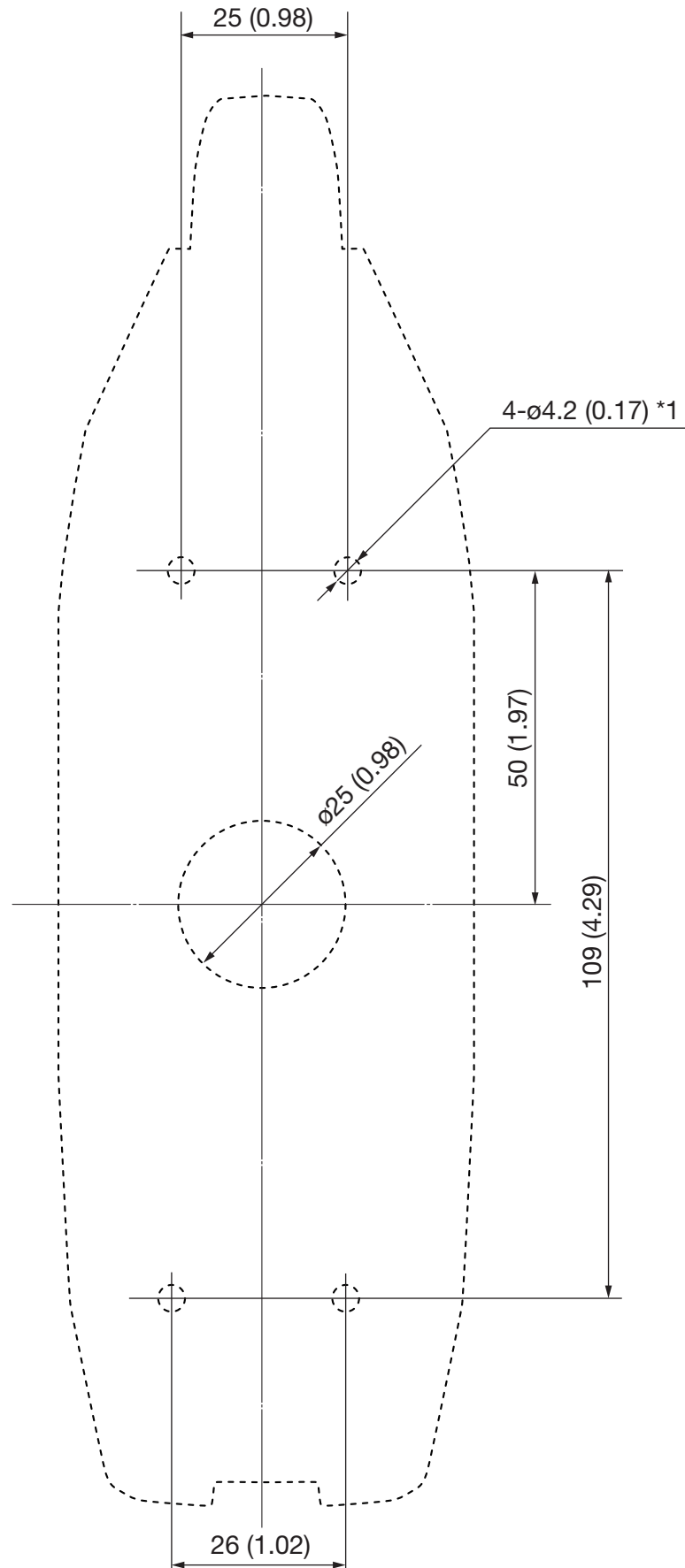
Template (actual size)

TIP:

Each of the kits is packaged with an actual-size template.

Wireless hub





(*1) Drill 2.5 mm holes if self-tapping screws are used.

